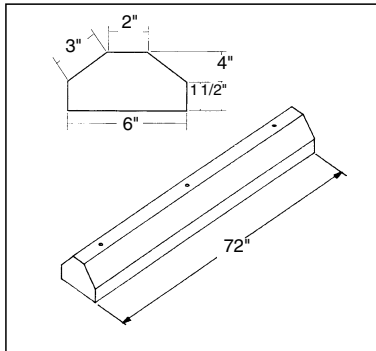


PARKING & HIGHWAY

CAR STOPS

- Durable, bring order to parking lots
- Solid colouring throughout means they never need painting and will retain an attractive appearance
- Made with 100% recycled plastic, they are protected against damages brought on by road chemicals, deterioration and corrosion, eliminating the danger of exposed reinforcing rods seen in traditional concrete car stops
- Predrilled and can be installed by one person
- Hardware sold separately
- 6' lengths available in safety yellow, handicap blue and cement grey
- 4' length available in safety yellow only



		4'	6'
Hardware:	- 1/2" x 8" lag screws	2	3
	- 9/16" washers	2	3
	- Expanding nylon anchors	3	3
Securing holes:	Countersunk 1/2" diameter		



Yellow Model No.	Mfg. No.	Blue Model No.	Mfg. No.	Grey Model No.	Mfg. No.	Length'	Wt. lbs.	Price /Each
CAR STOPS								
SE102	7040	-	-	-	-	4	29.5	
SE105	7050	SE106	7052	SE107	7053	6	41.5	

Model No.	Mfg. No.	Description	Wt. lbs.	Price /Each
HARDWARE				
SE108	7056	For 4' Car Stops	1	
SE109	7055	For 6' Car Stops	1	

PARKING CURBS

- 1-piece lightweight 100% recycled rubber
- Resistant to corrosion, moisture, oil and weather variations
- Safer and more durable than concrete or plastic; will not chip, crack or deform
- Black with bright yellow reflective stripes for maximum visibility
- Easily installed with 14" rebar spikes for permanent or temporary installation
- 6" W x 4" H



Model No.	Length	Spikes Required	Weight lbs.	Price /Each
PARKING CURB				
SEH140	3'	3	20	
SEH141	6'	4	35	
REBAR SPIKE				
SEH144	14"	-	-	



ZENITH
SAFETY PRODUCTS
FOR INDUSTRY